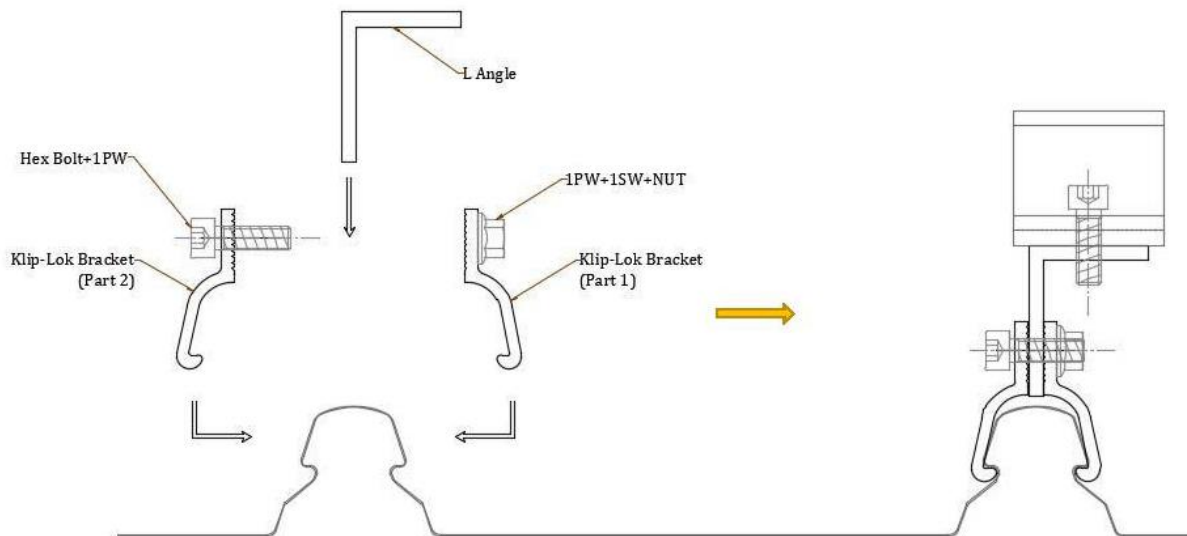


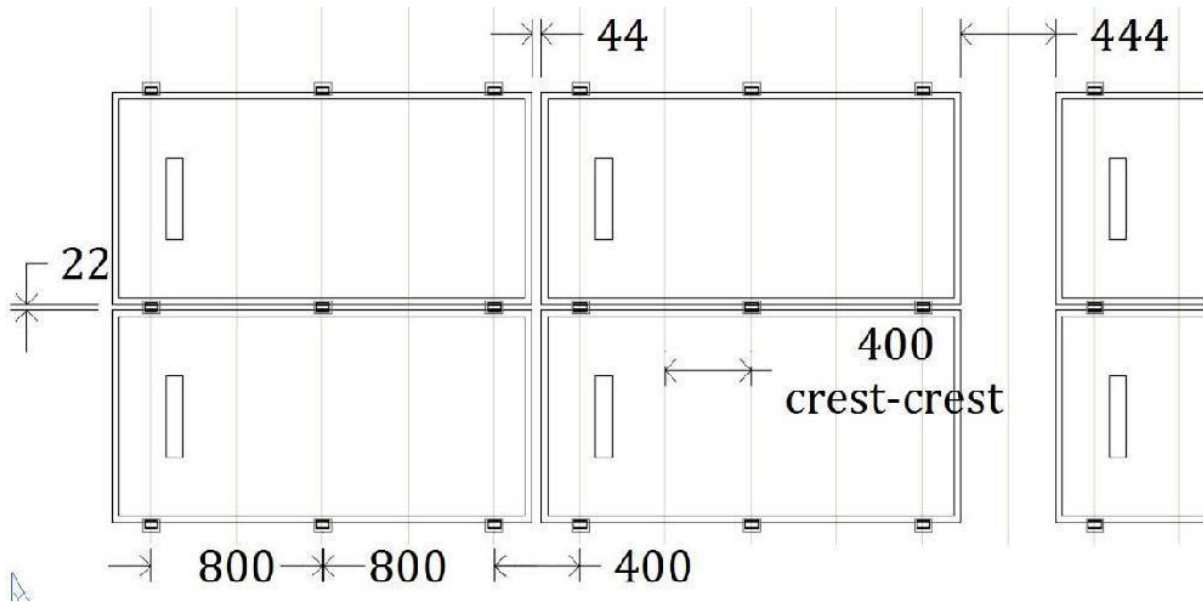
Annexure-3

Conceptual mounting arrangements of Solar Module on station roof

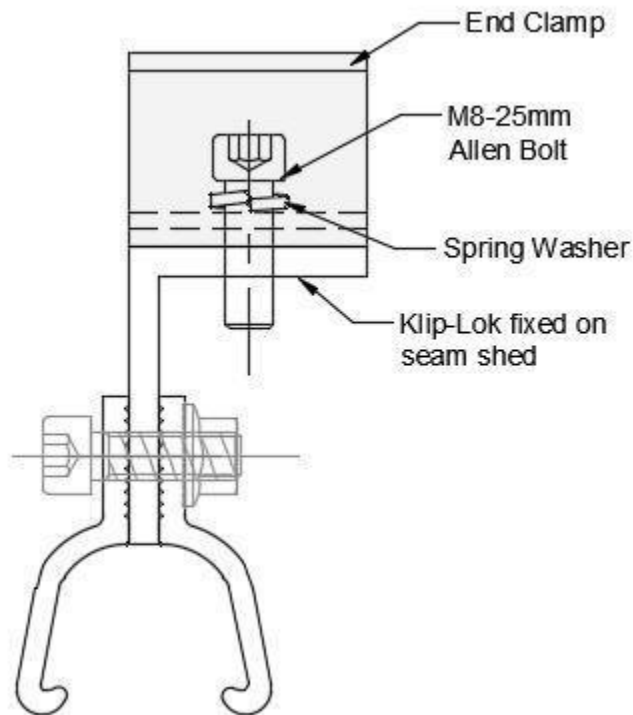
Align the Klip Lok Bracket Part 1 and 2 onto the seam along with L Angle and assemble with the help of Hex Bolt (with 1 spring washer (SW), 2 plain washer (PW) and hex nut), as shown below.



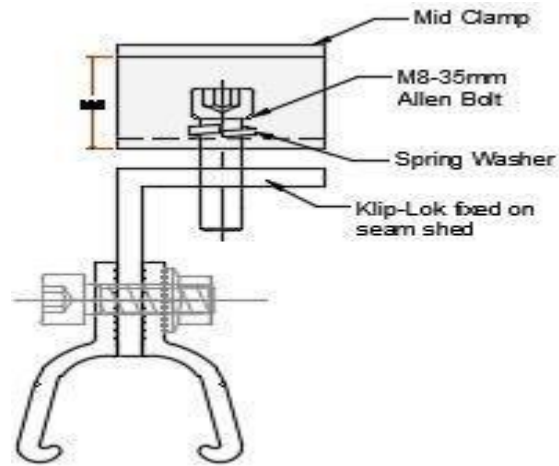
Each Module will have 3 clamp system as shown in fig. (dimensions given are for 400 crest to crest distance)



Bolting/mounting detail for end clamps is shown in fig.



Bolting/mounting detail for mid clamps is shown in fig.



Clamping w.r.t modules needs to be done properly as shown in fig.

